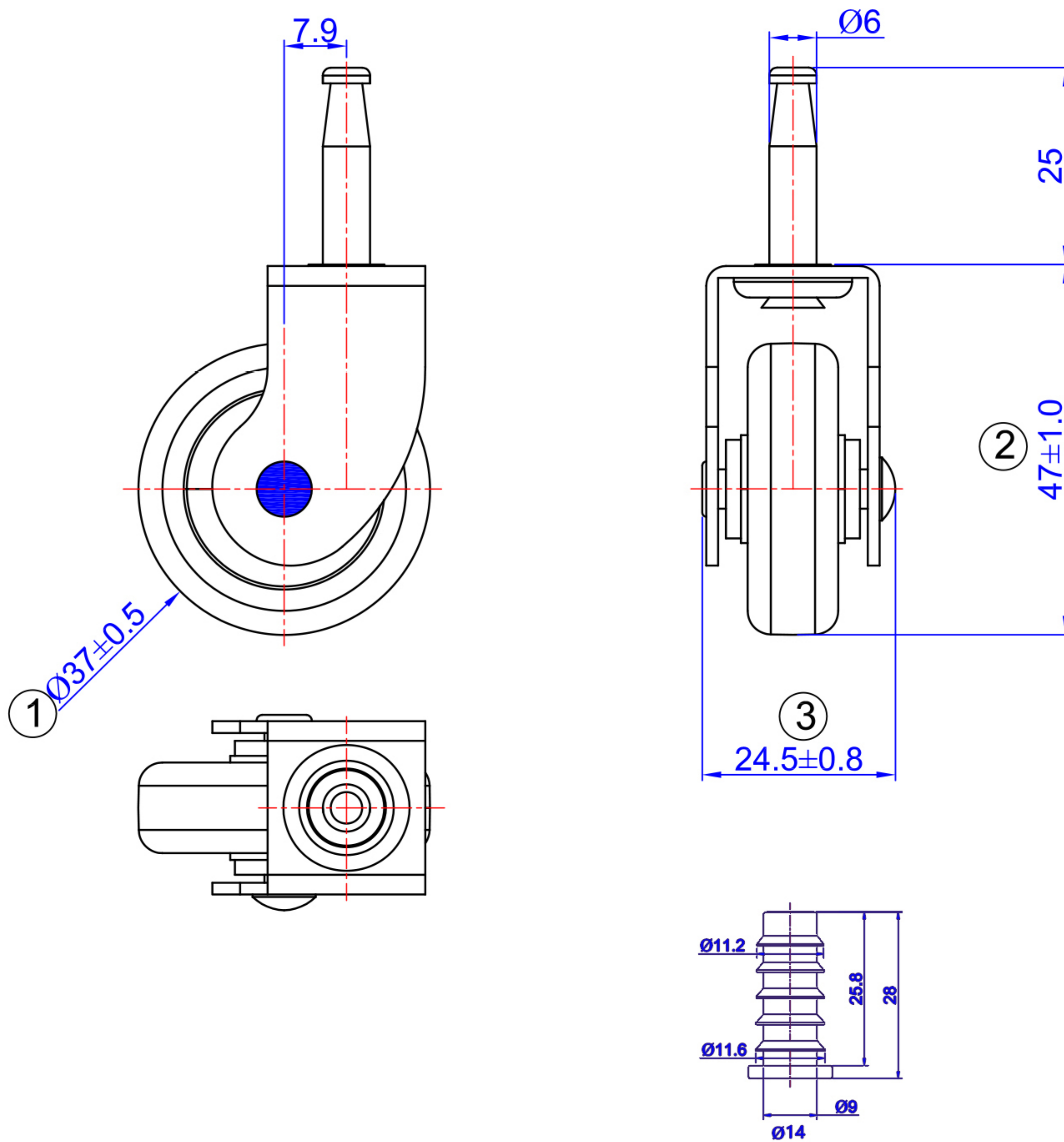


# LUCY

露西

## TECHNICAL DATA | 技术数据



Technical requirements:

1. Please follow all the significant dimension with tolerance.
2. Please refer to GB/T1804-2000 about the nonspecific tolerance for the other dimension.